



MAINTENANCE AND USE INSTRUCTIONS

For PVC windows GEALAN profile system S8000IQ

CONTENTS

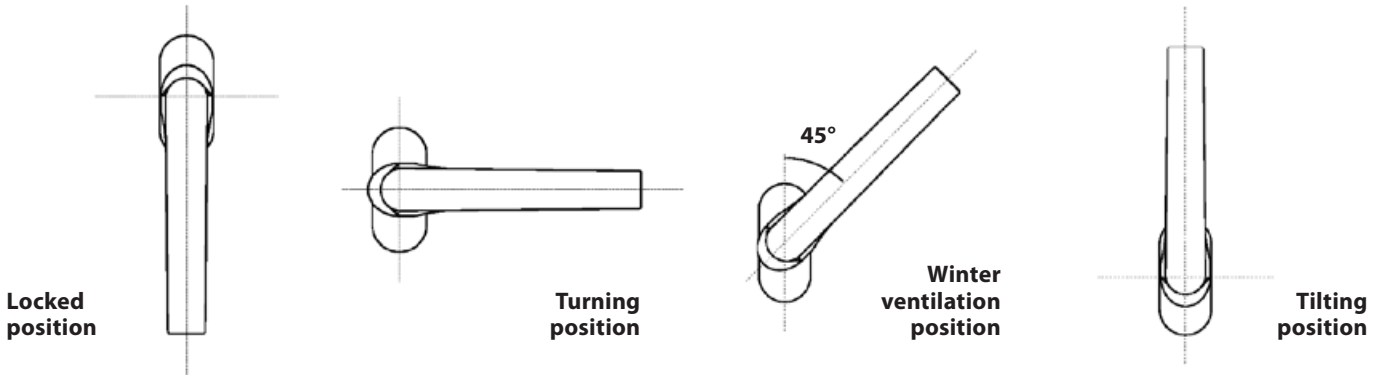
1. To open inward – opening turn/tilt window	3
2. Window handle positions for turn, turn/ tilt and tilt windows	3
3. Directions for use – turn and tilt	3
4. To open outward – opening window	4
5. Improper use	5
6. Inspection and maintenance	6
7. Cleaning	6
8. Lubrication	7
9. Lubrication points	8
10. Report of maintenance for PVC glazed structures	10

TO OPEN INWARD – OPENING TURN/TILT WINDOW

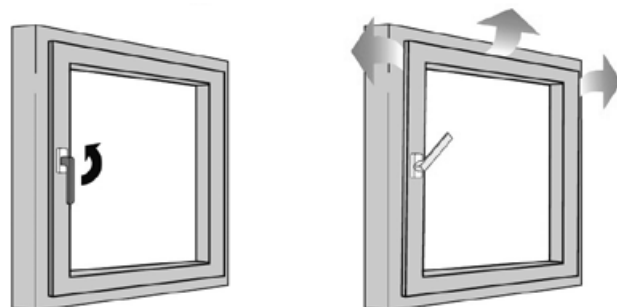
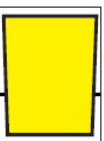
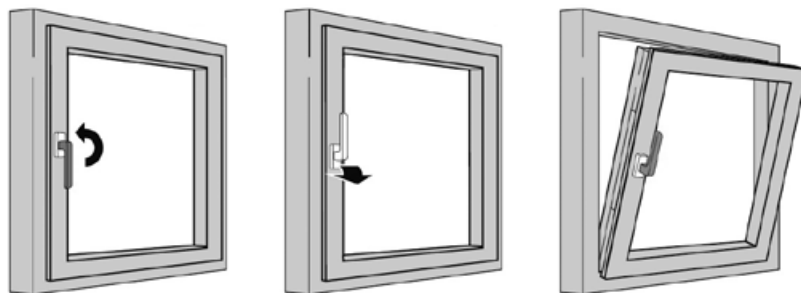
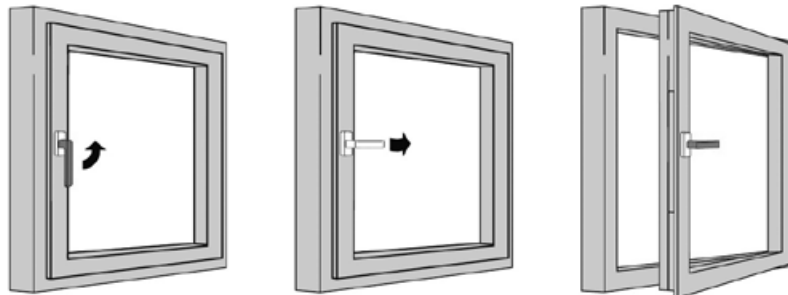
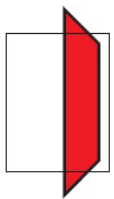
The handle must be positioned precisely in one of the following four positions: *Locked position*, *Turning position*, *Winter ventilation position* and *Tilting position*. Please do not try to open the window when the handle is positioned in between these positions. The window sash must always be fully closed before changing the handle position. To select *Tilting position* from the *Locked position*, please

turn the handle 180° and pull the window handle towards yourself. This way the window will tilt inwards to allow for ventilation. To change *Winter ventilation position* from the *Turning position*, please turn the handle 45°. To change *Turning position* from the *Locked position*, please turn the handle 90° and pull the window handle towards yourself.

WINDOW HANDLE POSITIONS FOR TURN, TURN/ TILT AND TILT WINDOWS



DIRECTIONS FOR USE - TURN AND TILT

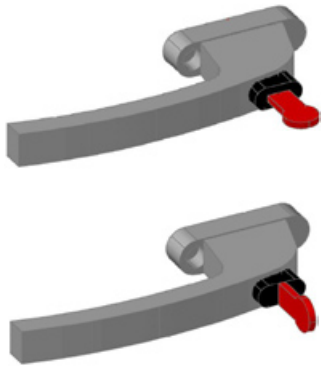


- Operational malfunction of the window components may result in injury!
- Do not continue to use the window once an operational malfunction has been identified!
- Secure the window and instruct a specialist company to carry out the repairs.

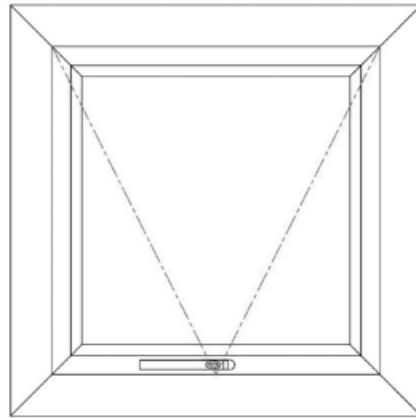
TO OPEN OUTWARD – OPENING WINDOW

Window handle positions for outwards opening windows:

Handle is locked.



To open the window, turn the key in 90 degrees clockwise.

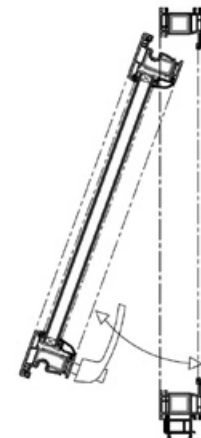
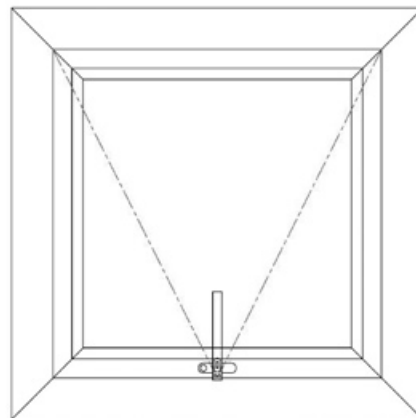


Press the button to unlock handle.



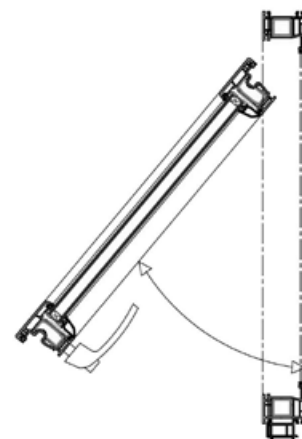
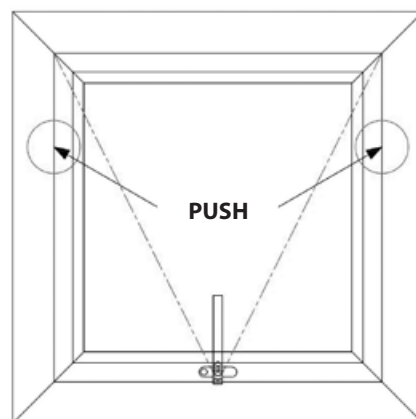
Keeping the button pushed, turn the handle in 90 degrees clockwise.

Move the casement outwards until it stops.

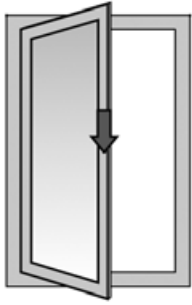


If a window is equipped with ironmongery, which secures child safety, before opening the window fully, please press buttons on both sides of the inside frame.

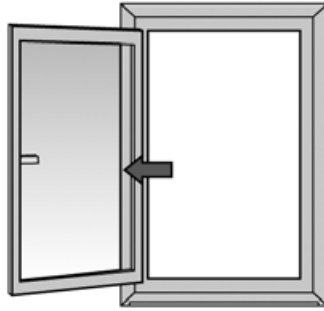
After pressing these buttons child safety is unlocked!!!



IMPROPER USE



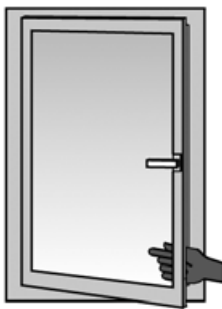
The window casement may not be subjected to additional weight.



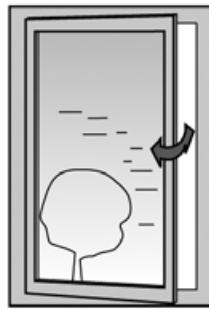
Do not knock or press sashes against the wall.



Do not place any objects between the sash and frame.



Danger! A sash, while being closed, can lead to injury. When closing, please do not place hands or fingers between the sash and the frame.



Where air movements are stronger, please do not leave the window open in a turning position.



If required for personal safety, the sash shall be locked to prevent the turn mode of operation by means of a turn stop or a lockable operating handle, for example.

Improper use of windows and doors, i.e. violation of the product use regulations, is particularly said to exist

- if additional loads are acting on window sashes or door leaves;
- if window sashes or door leaves are pressed against the soffit, e.g. as a result of wind, contrary to regulations or in an uncontrolled manner in such a way that the fittings, frame materials or other component parts of the window sashes or door leaves may become damaged or destroyed or subsequent damage may result;
- if objects are placed in the area of opening, thereby preventing use in accordance with regulations;
- if hands or fingers are put between the frame and sash when closing window sashes or door leaves (risk of injury);
- if, where air movements are stronger, the window sash or door leaf is opened in a turning position.

To preserve your windows and doors in good working order over the long term, and to ensure safety, the instructions must be observed without fail.

- Do not allow direct impact of the heating elements or do not set them towards the goods;
- Do not use these windows and doors as the bearing structures;
- **After completion of finishing works all opening mechanisms are to be checked. Dust and remnants of the building materials must be cleaned before they have become coarsened, all mechanisms must be lubricated if necessary. Before the building is plastered, all structures must be covered with a plastic in order to protect them from damages. To fix a plastic cover, please use only recommended adhesive tape.**

INSPECTION AND MAINTENANCE

The following checks must be performed once per year:

Check 1: hardware

Ensure that all moving parts can freely move and work. A few drops of sewing machine oil is enough to ensure proper operation.

Check 2: gaskets and seals

Make sure the gaskets between the frame and the sash are airtight. Replace any gaskets that are damaged.

Check 3: drainage

Check the weep holes and drainage channels. Free from dirt if necessary.

Check 4: locking screws

Make sure all hardware elements are properly secured. Check for loose screws.

**INSPECTION REPORTS MUST BE SENT
TO E-MAIL ADDRESS info@aillegrupa.lv**


CLEANING

- GEALAN window frames can be cleaned with any mild detergent or cleanser that has been mixed with water. For best results, however, there is a special cleanser developed. The special vinyl cleanser is designed to remove even the toughest dirt without harming the plastic, and is available from your local specialist.
- The gaskets should not come into contact with concentrated cleansers or oily substances, due to their corrosive effect. It is also important to minimise spraying the gaskets with window cleaner.
- When treating surfaces (painting or glazing your windows/doors), remove all fittings and protect them from stains and spills.
- Remove any stains or spills immediately because they could damage the surface protection of the fittings.
- When cleaning, please ensure that no water runs into the fittings.
- Dry the fittings thoroughly after cleaning and oil the surface with non-acidic and non-resinous oil by wiping them with a cloth soaked in oil.

Things to be avoided:

- Do not use any abrasive cleaners;
- Do not use steel wool or other scouring pads;
- Do not use any corrosive organic or chemical solutions or acids;
- Do not use alcohol to clean coloured surfaces.

LUBRICATION

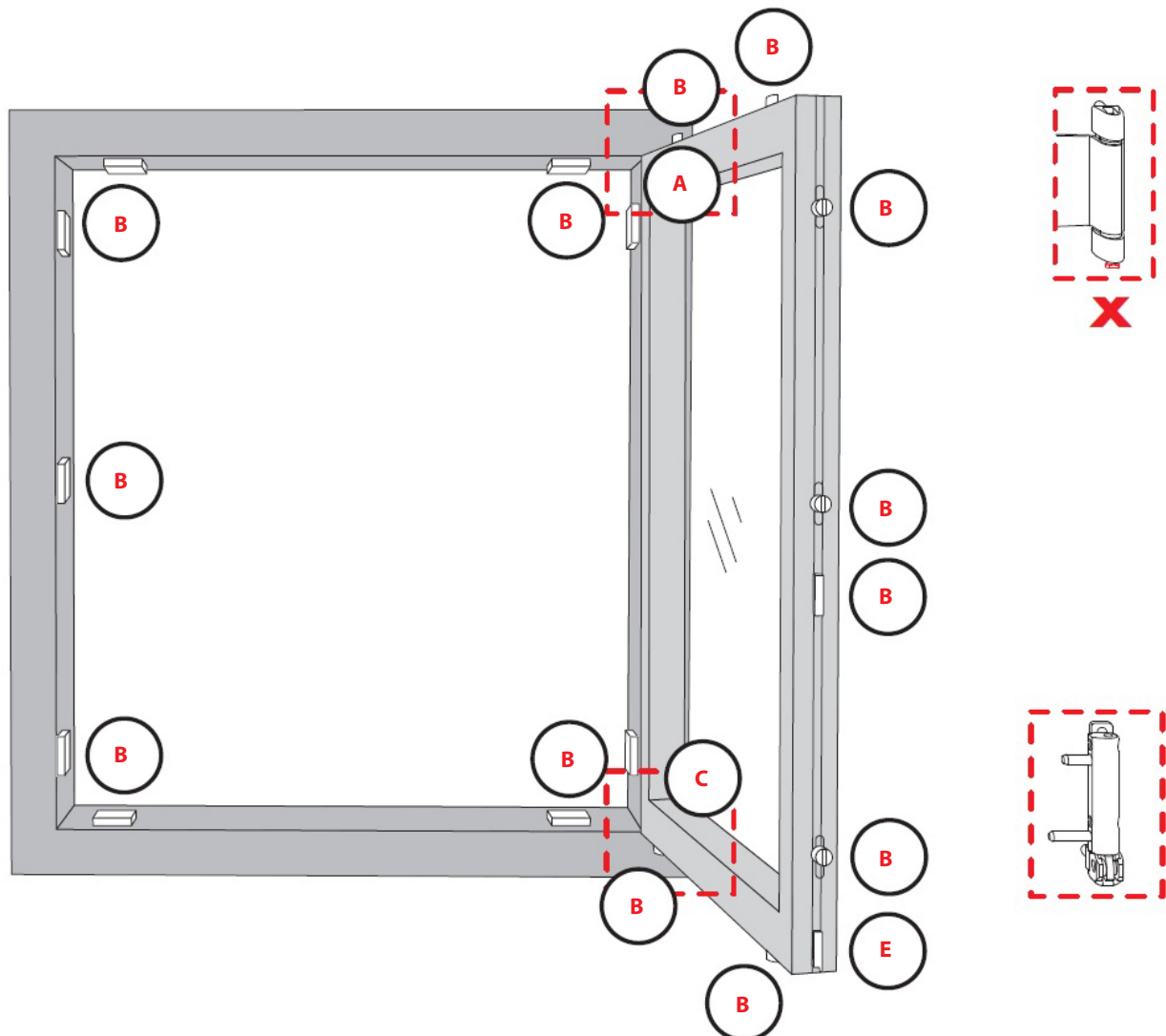
Check that all fittings () are secure and check for wear.

- Check that the top hinge pin (x) is pushed in up to the stop. If it is not, slide it up to the stop manually;
- Check for loose fixing screws and check that the handle is secure. Tighten the loose fixing screws using an appropriate tool. Important: Do not overtighten the screws;
- Have any worn/damaged fittings or overtightened screws replaced by a specialist company;

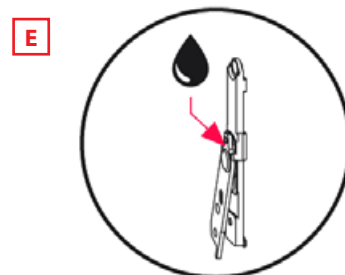
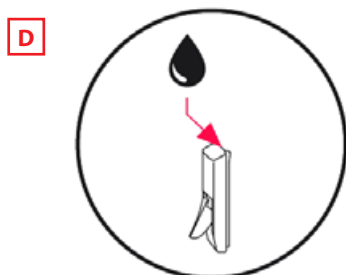
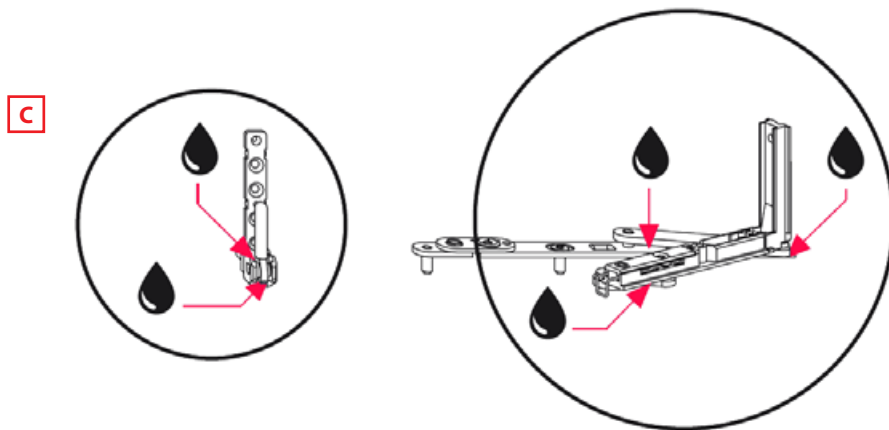
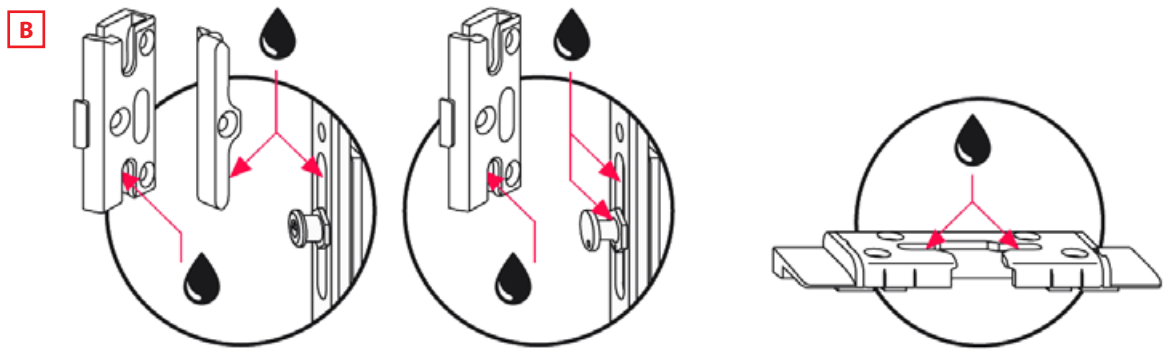
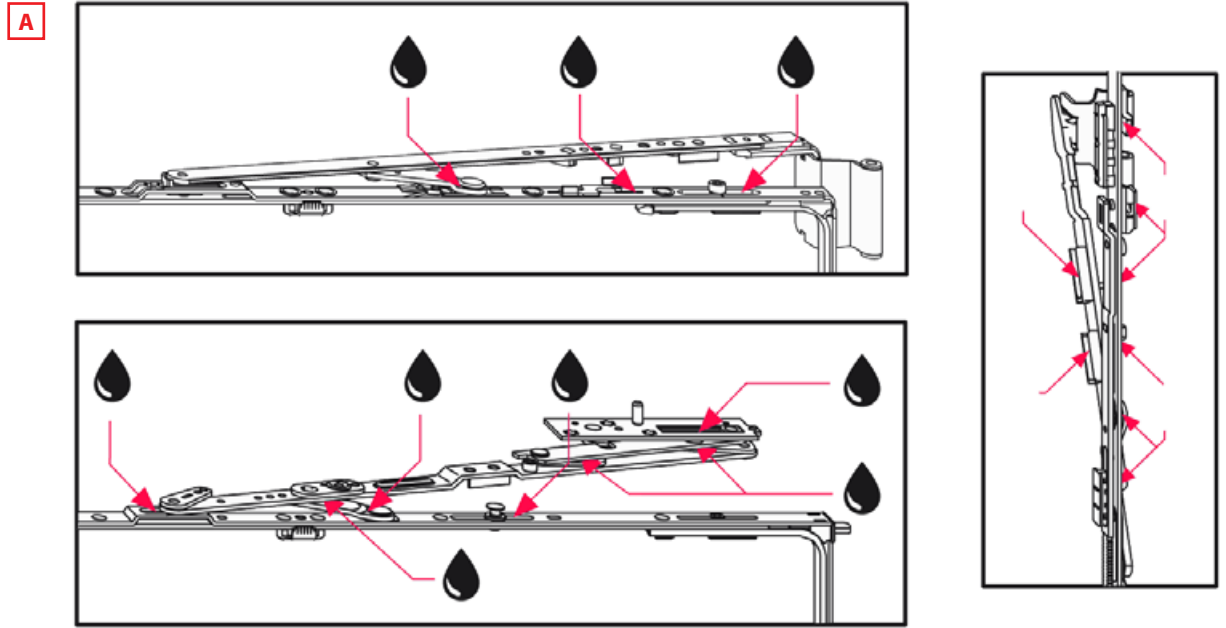
Grease or oil all movable fittings and all locking points;

- Use only acid-free and resin-free oil or grease;
- Use a grease spray on the movable parts in the window sash and spray into all openings in the fittings;
- Then move the fittings into position several times until the grease is distributed. Wipe off any excess oil or grease;
- Grease the striker plates in the window frame using firmer grease (consistency class 2 in accordance with DIN 51818) in the places where the locking cam engages with the striker plate.

Please use acid free oil to lubricate parts. WD40 is NOT suitable!



LUBRICATION POINTS



Regular maintenance of the windows and doors at least once a year is required.

When performing the maintenance on your own, please note:

- do not perform window adjustments on your own;
- it is essential that window frames and sashes are cleaned from dirt and dust. Please apply special care to the water drainage openings and clean them from dirt.

Customer/user has to make report for each annual maintenance and send it on e-mail address info@aillegrupa.lv

MISSING REPORTS CAN LEAD TO REMOVAL OF WARRANTY!

On the condition that all above rules and instructions are followed, the Contractor provides a five year production guarantee which guarantees faultless operation of the windows and doors.

This use and maintenance instruction has been made in accordance with instructions of the PVC profile supplier GEALAN (www.gealan.de) and fitting supplier SIEGENIA AUBI (www.siegenia-aubi.com).



UPB Export Department
Maskavas 250, Riga, Latvia, LV-1063
Phone (+371) 67844680, Fax (+371) 67844690
exd@upb.lv
www.upb.eu.com



Aile Grupa Ltd.
Glazed structures, windows, doors, facades
Pulvera 28, Liepaja, Latvia, LV-3405
Phone (+371) 63489300 Fax (+371) 63489301
info@aillegrupa.lv
www.aillegrupa.lv

REPORT OF MAINTENANCE FOR PVC GLAZED STRUCTURES

Customer _____

Contract No. _____

Project name _____

Project address _____

Maintenance completed	Hardware		Gaskets and seals		Drainage		Locking screws		Lubrication	
	Yes <input type="checkbox"/>	No <input type="checkbox"/>	Yes <input type="checkbox"/>	No <input type="checkbox"/>	Yes <input type="checkbox"/>	No <input type="checkbox"/>	Yes <input type="checkbox"/>	No <input type="checkbox"/>	Yes <input type="checkbox"/>	No <input type="checkbox"/>
_____	_____	_____	_____	_____	_____	_____	_____	_____	_____	_____
_____	_____	_____	_____	_____	_____	_____	_____	_____	_____	_____
_____	_____	_____	_____	_____	_____	_____	_____	_____	_____	_____
_____	_____	_____	_____	_____	_____	_____	_____	_____	_____	_____
_____	_____	_____	_____	_____	_____	_____	_____	_____	_____	_____
_____	_____	_____	_____	_____	_____	_____	_____	_____	_____	_____
_____	_____	_____	_____	_____	_____	_____	_____	_____	_____	_____
_____	_____	_____	_____	_____	_____	_____	_____	_____	_____	_____
_____	_____	_____	_____	_____	_____	_____	_____	_____	_____	_____

Defect observed _____

comments _____

should be made compulsory _____

Maintenance performed by: _____ Date: _____

Maintenance report has to be sent to e-mail: info@aillegrupa.lv